

Troubleshooting

Flood Protection Unit

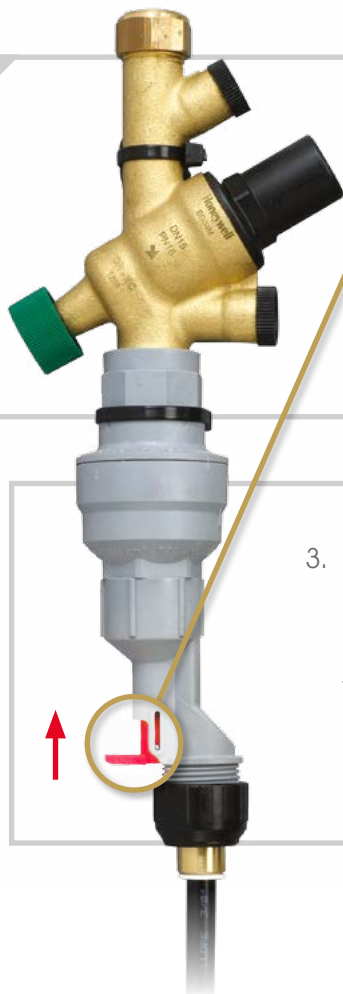
This a safety feature should a leak occur

The Flood Protection unit is for your protection and is made up of three parts:

- 1 Water block (limits the amount of water dispensed in one continuous flow if a leak occurs)
- PRV (pressure reducing valve reduces pressure to the recommended 2 bar)
- Double Check valve (prevents back flow and a legal requirement)

How do I reset this?

The FPU is on the filter board, it will need to be reset if you constantly run off more than its pre set amount. Normally set between 8–16 litres.



1. You will see a **RED** push lever, this will be found on the lower part of the unit.
2. To release the water pressure – open the still tap.

3. Push the **RED** lever up. It may feel stiff and heavy but keep pushing the lever until you reach the top of its housing. Once the lever has been pushed all the way up the unit is reset and you can continue dispensing water one bottle at a time.